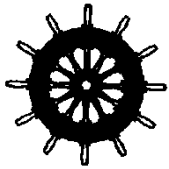




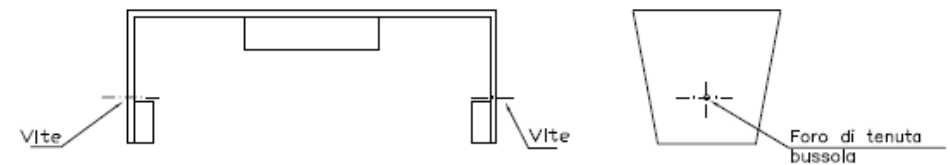
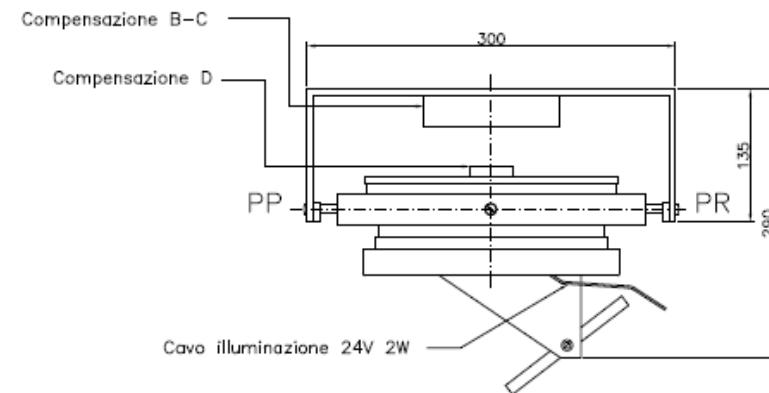
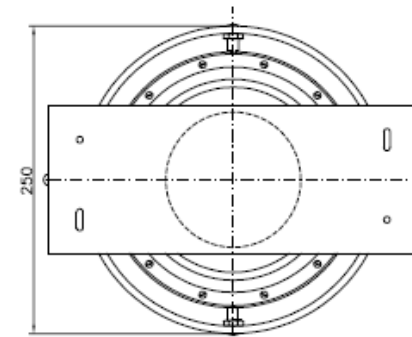
COMPASS MOD. 150/A (Overhead)



APPROVE



Liquid magnetic compass mod. 150/A devices for compensation B-C-D (set of magnetic bars), MED approved



DITTA FUSELLI DI F.LLI FASSIO Srl

Piazza Cavour 16 int. B 16128 Genova - Tel. (+39) 010 2472472 Fax (+39) 010 2472604

www.fusellifassio.it – info@fusellifassio.it